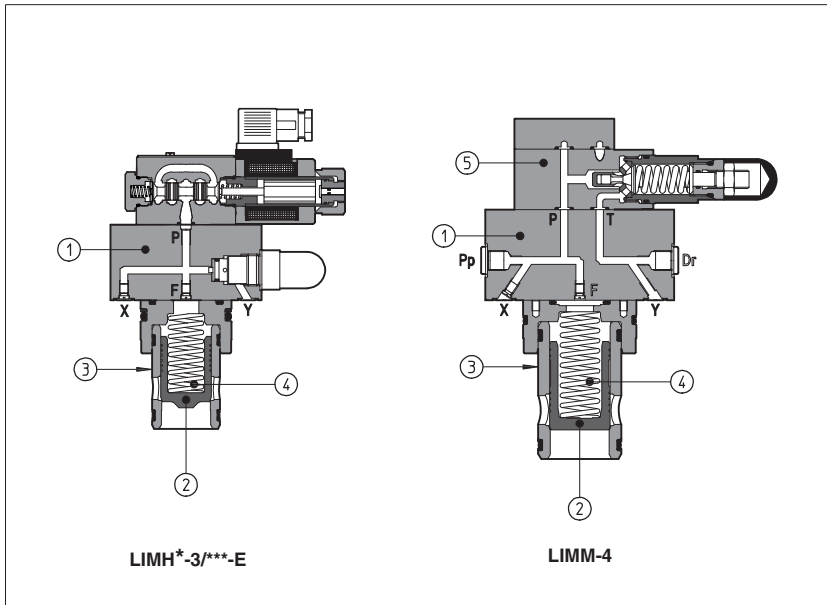


# Modular cartridge valves type LIM, LIR, LIC

Pressure controls: relief, reducing, compensator, ISO 7368 size from 16 to 80



LIM, LIR and LIC are pressure control valves composed by a 2-way cartridge housed in a standard recess and by a functional "cover" ①.

The cartridge is composed by a poppet ② hydraulically piloted by means of internal connections in the cover (X, F, Y) and sliding into a drilled sleeve ③; cracking pressure value depends on poppet spring ④.

Pressure relief valve ⑤ with manual setting is housed in the cover for sizes 16, 25 and 32 and is mounted on the cover for sizes 40...80.

Poppets may have different geometrical shapes and area ratios as described in section ⑤ to optimize the control.

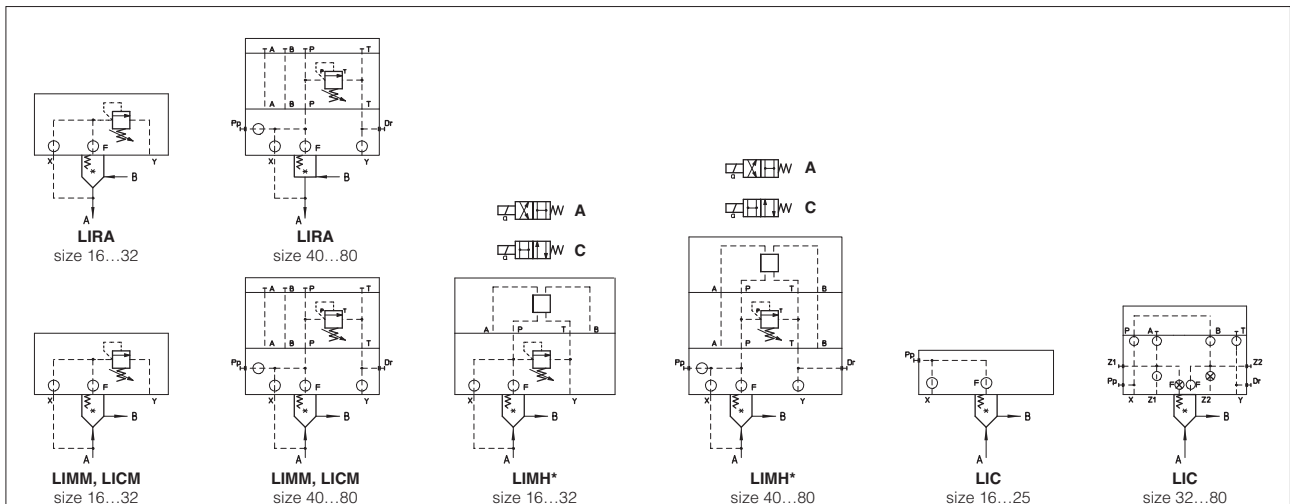
These valves are available in standard sizes 16 to 80 according to ISO 7368 (DIN 24342).

Flow up to 5400 l/min at  $\Delta p = 6$  bar.  
Pressure up to 350 bar.

## 1 MODEL CODE FOR COVERS

LI	MHA	-1	/210	/V	-I	X	24DC	**	/*	F**
Cover according to ISO 7368									Synthetic fluids: /WG = water-glycol /PE = phosphate ester	Optional different provision or setting of the calibrated plugs in the pilot channels, see section ⑦
<b>MM</b> = pressure relief control with manual setting; <b>MHA</b> = pressure relief control with solenoid valve for venting. Unloading when solenoid is deenergized; <b>MHC</b> = pressure relief control with solenoid valve for venting. Unloading when solenoid is energized; <b>RA</b> = pressure reducing control with manual setting. Open in resting position; <b>C</b> = pressure compensator to be coupled with flow control valves; <b>CM</b> = pressure compensator with mechanical max pressure regulation to be coupled with flow control valves.									Series number	
Size: <b>1</b> = 16; <b>2</b> = 25; <b>3</b> = 32; <b>4</b> = 40; <b>5</b> = 50; <b>6</b> = 63; <b>8</b> = 80 LIRA is available only in size 16, 25, 32, 40									Voltage code (only for LIMH*): <b>00</b> = valve without coils (only for OI solenoid)	
Pressure range: <b>50</b> = 6 ÷ 50 bar; <b>210</b> = 10 ÷ 210 bar; <b>100</b> = 8 ÷ 100 bar; <b>350</b> = 15 ÷ 350 bar									Only for LIMH* <b>X</b> = without connector See section ⑧ for available connectors, to be ordered separately	
For model code of poppet, see section ④									Pilot valve (only for LIMH*): <b>-I</b> = DHI for AC and DC supply, with <b>cURus</b> certified solenoids <b>-E</b> = DHE for AC and DC supply, high performances <b>-ER</b> = DHER as DHE but with <b>cURus</b> certified solenoids	
										Options: see section ⑦

## 2 HYDRAULIC SYMBOLS



### 3 HYDRAULIC CHARACTERISTICS

Cover, see section 1	LIMM, LIMHA, LIMHC								LIRA				LIC, LICM							
	31 (1), 34 (2), 35 (3)								37				31, 36							
Poppet, see section 4, 5																				
Size	16	25	32	40	50	63	80	16	25	32	40	16	25	32	40	50	63	80		
Max flow at $\Delta p = 6 \text{ bar}$ [l/min]	200	400	670	1200	2200	3500	5400	160	270	540	840	200	400	670	1200	2200	3500	5400		
Max pressure [bar]	350 bar at ports A, B, X; 160 bar at port Y																			

(1) Size 80 is available only for poppet 31; (2) Poppet 34 is available only in size 16; (3) Poppet 35 is available only in size 16...50;

### 4 MODEL CODE FOR POPPET, see section 4 for functions

SC	LI	-	16	31	2	**	/*
Cartridge according to ISO 7368							
Size, the same of relevant cover: <b>16</b> = 16; <b>32</b> = 32; <b>50</b> = 50; <b>80</b> = 80 <b>25</b> = 25; <b>40</b> = 40; <b>63</b> = 63;							
Type of poppet, see section 3 for maximum flow: <b>31</b> = (sizes 16...80) = for LIMM, LIMH*, LIC, LICM <b>34</b> = (size 16) = for LIMM, LIMH* <b>35</b> = (sizes 16...50) = for LIMM, LIMH* <b>36</b> = (sizes 16...80) = for LIC, LICM <b>37</b> = (sizes 16...40) = for LIRA							
Series number							
Spring cracking pressure: <b>1</b> = 0,3 bar for poppet 35; <b>4</b> = 4 bar for poppet 37; <b>2</b> = 1,2 bar for poppet 31, 34, 35; <b>6</b> = 6 bar for poppet 31, 34, 35, 36; <b>3</b> = 3 bar for poppet 31, 34, 35; <b>7</b> = 7 bar for poppet 37 (not available for size 40);							
Synthetic fluids <b>WG</b> = water-glycol <b>PE</b> = phosphate ester							

### 5 TYPICAL FUNCTIONS OF POPPETS

Code of poppet	31	34	35	36	37
Functional sketch (Hydraulic symbol)					
Typical section					
Area ratio (1)	1:1	1:1	1:1,1	1:1	1:1

(1) It is the ratio of the area on which the main pressure of the circuit is applied to the area on which the pilot pressure is applied.

### 6 MAIN CHARACTERISTICS OF MODULAR PRESSURE CONTROL CARTRIDGE VALVES TYPE LIMM, LIMH\*, LIRA, LIC\*

Assembly position / location	Any position
Subplate surface finishing	Roughness index $\sqrt{Ra}$ , flatness ratio 0,01/100 (ISO 1101)
Ambient temperature	-20°C to +70°C
Fluid	Hydraulic oil as per DIN 51524 . . . 535; for other fluids see section 1
Recommended viscosity	15 ÷ 100 mm <sup>2</sup> /s at 40°C (ISO VG 15 ÷ 100)
Fluid contamination class	ISO 19/16, achieved with in line filters at 25 µm and $\beta_{0.5} \geq 75$ (recommended)
Fluid temperature	-20°C +60°C (standard and /WG seals)    -20°C +80°C (/PE seals)

#### 6.1 Coils characteristics

Insulation class	H (180°C) Due to the occurring surface temperatures of the solenoid coils, the European standards EN563 and EN982 must be taken into account
Connector protection degree	IP 65
Relative duty factor	100%
Supply voltage and frequency	See electric feature 7
Supply voltage tolerance	± 10%

### 7 OPTIONS

Only for LIMM (size 16...32):

- /P** = predisposed for ISO 4401 size 06 mounting surface
- Handwheel for pressure control, only for LIMM, LIMH\*, LIRA, LICM (see section 13 for dimensions):
- /V** = regulating handwheel (available for all the sizes)
- /VF** = regulating knob (available only for sizes 40...80)
- /VS** = manual override with safety locking (available only for sizes 40...80)
- Handwheel for OI solenoid pilot valve, only for LIMH\*:
- /WP** = prolonged manual override protected by rubber cap (see table K150).

For all the models:

- \*\*\*** = calibrated plugs different from standard one. All covers contain and are equipped with restrictors in the pilot channels according to the standard arrangement which is preset for each variant (see section 14). They can be exchanged with others for particular use. When ordering covers equipped with restrictors that are different from the standard ones it must be indicated at the end of the model code:

**LIMHA - 1 /210 -IX 24DC \*\* /WG F 06**

Channel where the orifice has to be provided:  
**X** = channel X  
**F** = channel F

Size of the throttling hole in ten of millimeters:  
**05** = 0,5 mm    **10** = 1 mm  
**06** = 0,6 mm    **12** = 1,2 mm  
**08** = 0,8 mm    **15** = 1,5 mm

Note:

DHI, DHE and DHER solenoid pilot valves can be provided with the following handwheel (see table K150):

**SP-WPD/H** (for DHI), **SP-WPD/HS** (for DHE) = manual override with detent, to be ordered separately.

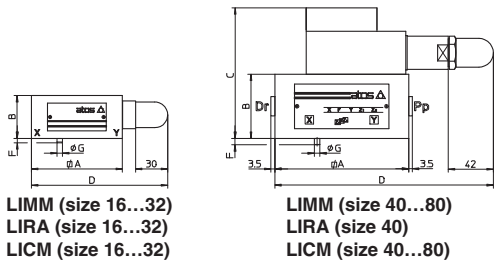
Covers type LIMH\* can also be equipped with the following pilot solenoid valves.

- AO** = explosion-proof solenoid according to ATEX Norm (see table E120 for technical characteristics)
- AO/E** = explosion-proof solenoid according to IECEx Norm (see table E120 for technical characteristics)
- AO/RU** = explosion-proof solenoid according to ROSTECHNADZOR Russian Certification (see table E120 for technical characteristics)
- AO/UL** = explosion-proof solenoid according to UL Norm (see table E125 for technical characteristics)
- WO** = intrinsically safe solenoid according to ATEX (see table E130 for technical characteristics)



**12 COVER DIMENSIONS [mm]**

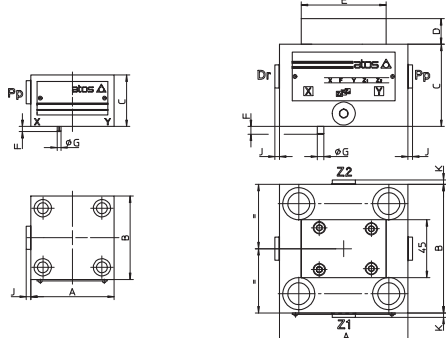
Covers	A	B	C	D	F	G	Port Pp-Dr	Seals	Fastening bolts (2)	Tightening torque [Nm]	Weight [Kg]
LIMM-1 LIRA-1 LICM-1	65	40	-	107,5	4	3	-	2 OR 108	Nr. 4 M8x45	35	1,7
LIMM-2 LIRA-2 LICM-2	85	40	-	127,5	6	5	-	2 OR 108	Nr. 4 M12x45	125	2,2
LIMM-3 LIRA-3 LICM-3	100	50	-	142,5	6	5	-	2 OR 2043	Nr. 4 M16x55	300	3,5
LIMM-4 LIRA-4 LICM-4	125	60	122	195	6	5	G 1/4	2 OR 2050	Nr. 4 M20x70	600	8,9
LIMM-5 LICM-5	140	70	132	202,5	4	6	G 1/4	2 OR 2050	Nr. 4 M20x80	600	12,4
LIMM-6 LICM-6	180	80	142	222,5	4	6	G 3/8	2 OR 2056	Nr. 4 M30x90	2100	21,6
LIMM-8 LICM-8	Ø250	80	172	257,5	6	8	G 3/8	2 OR 123	Nr. 8 M24x90	1000	30,5



LIMM (size 16...32)  
LIRA (size 16...32)  
LICM (size 16...32)

LIMM (size 40...80)  
LIRA (size 40)  
LICM (size 40...80)

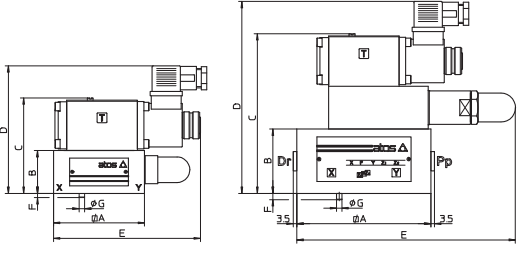
Covers	A	B	C	D	E	F	G	K	J	Port Pp-Dr	Port Z1-Z2	Seals	Fastening bolts (2)	Tightening torque [Nm]	Weight [Kg]
LIC-1	65	65	40	-	-	4	3	-	3,5	G 1/4	-	2 OR 108	Nr. 4 M8x45	35	1,4
LIC-2	85	85	40	-	-	6	5	-	3,5	G 1/4	-	2 OR 108	Nr. 4 M12x45	125	1,8
LIC-3	100	100	50	20	66	6	5	-	3,5	G 1/4	-	4 OR 2043	Nr. 4 M16x55	300	2,3
LIC-4	125	125	60	20	66	6	5	-	3,5	G 1/4	-	4 OR 2050	Nr. 4 M20x70	600	6,2
LIC-5	140	140	70	20	66	4	6	3,5	3,5	G 1/4	G 1/4	4 OR 2050	Nr. 4 M20x80	600	9,3
LIC-6	180	180	80	20	66	4	6	3,5	3,5	G 3/8	G 3/8	4 OR 2056	Nr. 4 M30x90	2100	17,1
LIC-8	Ø 250	-	80	30	73	6	8	-	3,5	G 3/8	-	4 OR 123	Nr. 8 M24x90	1000	27



LIC (size 16 ÷ 25)

LIC (size 32...80)

Covers	A	B	C max	D max	E	F	G	Port Pp-Dr	Seals	Fastening bolts (2)	Tightening torque [Nm]	Weight [Kg]
LIMHA-1 LIMHC-1	65 (1)	40	87,5	123,5	124,5	4	3	-	2 OR 108	Nr. 4 M8x45	35	3
LIMHA-2 LIMHC-2	85	40	87,5	123,5	134,5	6	5	-	2 OR 108	Nr. 4 M12x45	125	3,3
LIMHA-3 LIMHC-3	100	50	130,5	153,5	142,5	6	5	-	2 OR 2043	Nr. 4 M16x55	300	5
LIMHA-4 LIMHC-4	125	60	150,5	183,5	195	6	5	G 1/4	2 OR 2050	Nr. 4 M20x70	600	9,2
LIMHA-5 LIMHC-5	140	70	160,5	193,5	202,5	4	6	G 1/4	2 OR 2050	Nr. 4 M20x80	600	13,2
LIMHA-6 LIMHC-6	180	80	170,5	203,5	222,5	4	6	G 3/8	2 OR 2056	Nr. 4 M30x90	2100	22,5
LIMHA-8 LIMHC-8	Ø 250	80	200,5	233,5	257,5	6	8	G 3/8	2 OR 123	Nr. 8 M24x90	1000	31,3



LIMH\* (size 16...32)

LIMH\* (size 40...80)

(1) Cover is not squared: 65x80  
(2) Hexagon socket head screw according to DIN 912 class 12.9

Overall dimensions refer to the pilot valves with connectors type SP-666

**13 HANDWHEELS FOR PRESSURE PILOT VALVES: DIMENSIONS [mm]**

Options	/V	/VF	/VS

**14 SCREWED ORIFICES IN STANDARD COVER EXECUTION: DIMENSIONS (1)**

Cover	Port																								
	LIM*-1	LIRA-1	LICM-1	LIC-1	LIM*-2	LIRA-2	LICM-2	LIC-2	LIM*-3	LIRA-3	LICM-3	LIC-3	LIM*-4	LIRA-4	LICM-4	LIC-4	LIM*-5	LICM-5	LIC-5	LIM*-6	LICM-6	LIC-6	LIM*-8	LICM-8	LIC-8
X	M4 10A	M4 08A	M4 08A	-	M4 10A	M4 08A	M4 08A	-	M6 10A	M6 08A	M6 12A	M6 10A	M6 10A	M6 12A	M6 10A	M6 10A	M6 10A	M6 10A	M6 10A	M6 10A	M6 10A	M6 10A	M8 10A	M8 10A	M8 10A
F	M4 12F	M4 12A	M4 05F	M4 05F	M4 12F	M4 12A	M4 05F	M4 05F	M6 12F	M6 12A	M6 12F	M6 05F	M6 12F	M6 08A	M6 12F	M6 12F	M6 12F	M6 12F	M6 12F	M6 12F	M6 12F	M6 12F	M8 12F	M8 12F	M8 12F

(1) The showed codes define the orifice thread, diameter of the throttling hole in ten of millimeters and the form of throttle sectional area:  
A = variable sectional area; F = constant sectional area